

产品及应用/products applications

- ◆ 适用于通讯设备、基站、直放站、程控交换机、复印设备、光端机、开关电源等直流供电的各种电子设备
- ◆ 优异的低频、高频滤波效果
- ◆ 双节滤波器

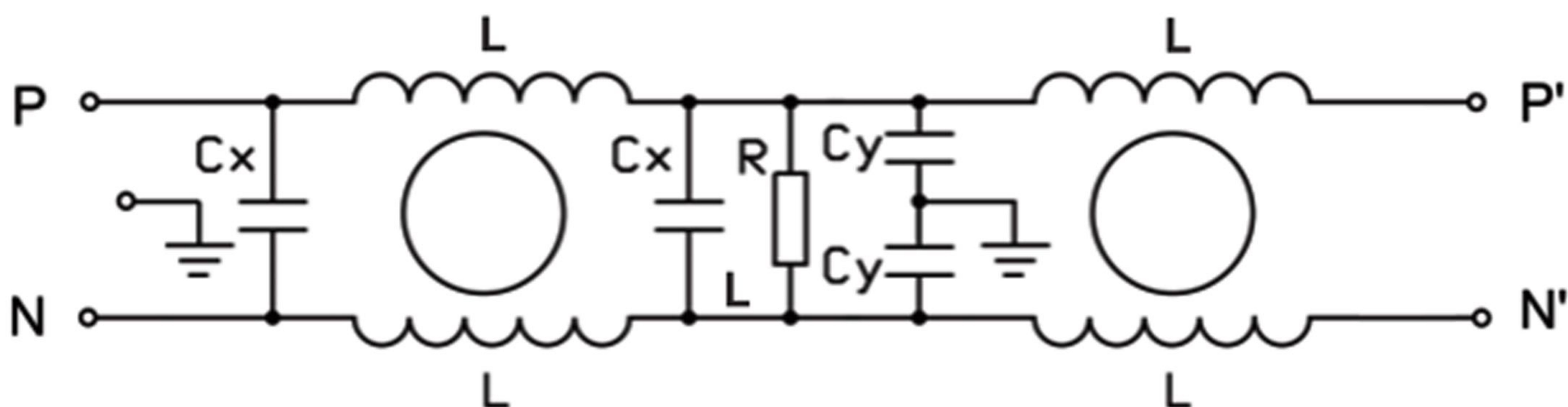


技术参数/Specification

最高工作电压 (VAC)	工作频率 Operating frequency Hz	试验电压 Hipot test voltage		工作温度 Operating temperature	绝缘电阻 Minimum insulation resistance
		P-N(VDC)	PN-E(VAC)		
250	50/60	1760	2000	-25~+85°C	>200M @500VDC

产品型号 FILTER	端接方式 Connections					额定电流 Current rating (@40°C) A	外形尺寸 Housing	泄漏电流 Leakage current	电路参数 Components			
	引线	插片	螺栓	端子	端子+导轨				L(mH)	Cx(nF)	Cy(nF)	R(MΩ)
ME430-1/W	/W	---	---	---	---	1A	A1	<0.3mA	7.8	100	2.2	1.5
ME430-3/W	/W	---	---	---	---	3A		<0.3mA	2.5	100	2.2	1.5
ME430-6/W	/W	---	---	---	---	6A		<0.3mA	1.0	100	2.2	1.5
ME430-10/W	/W	---	---	---	---	10A		<0.3mA	0.5	220	2.2	1.0
ME430-1/L	---	/L	---	---	---	1A	H1	<0.3mA	7.8	100	2.2	1.5
ME430-3/L	---	/L	---	---	---	3A		<0.3mA	2.5	100	2.2	1.5
ME430-6/L	---	/L	---	---	---	6A		<0.3mA	1.0	100	2.2	1.5
ME430-10/L	---	/L	---	---	---	10A		<0.3mA	0.5	220	2.2	1.0
ME430-20/L	---	/L	---	---	---	20A	H1-M	<0.5mA	0.3	220	4.7	1.0
ME430-1/M	---	---	/M	---	---	1A		<0.3mA	7.8	100	2.2	1.5
ME430-3/M	---	---	/M	---	---	3A		<0.3mA	2.5	100	2.2	1.5
ME430-6/M	---	---	/M	---	---	6A		<0.3mA	1.0	100	2.2	1.5
ME430-10/M	---	---	/M	---	---	10A	H5	<0.3mA	0.5	220	2.2	1.0
ME430-20/M	---	---	/M	---	---	20A		<0.5mA	0.3	220	4.7	1.0
ME430-30/M	---	---	/M	---	---	30A		<0.5mA	0.28	470	4.7	0.47
ME430-40/M	---	---	/M	---	---	40A		<1.0mA	0.2	470	10	0.47
ME430-50/M	---	---	/M	---	---	50A	H5-1	<1.0mA	0.18	470	10	0.47
ME430-1/T	---	---	---	/T	---	1A		<0.3mA	7.8	100	2.2	1.5
ME430-3/T	---	---	---	/T	---	3A		<0.3mA	2.5	100	2.2	1.5
ME430-6/T	---	---	---	/T	---	6A		<0.3mA	1.0	100	2.2	1.5
ME430-10/T	---	---	---	/T	---	10A	H5-2	<0.3mA	0.5	220	2.2	1.0
ME430-20/T	---	---	---	/T	---	20A		<0.5mA	0.3	220	4.7	1.0
ME430-30/T	---	---	---	/T	---	30A		<0.5mA	0.28	470	4.7	0.47
ME430-40/T	---	---	---	/T	---	40A		<1.0mA	0.2	470	10	0.47
ME430-50/T	---	---	---	/T	---	50A	H5-2	<1.0mA	0.18	470	10	0.47
ME430-1/TG	---	---	---	---	/TG	1A		<0.3mA	7.8	100	2.2	1.5
ME430-3/TG	---	---	---	---	/TG	3A		<0.3mA	2.5	100	2.2	1.5
ME430-6/TG	---	---	---	---	/TG	6A		<0.3mA	1.0	100	2.2	1.5
ME430-10/TG	---	---	---	---	/TG	10A	H5-2	<0.3mA	0.5	220	2.2	1.0
ME430-20/TG	---	---	---	---	/TG	20A		<0.5mA	0.3	220	4.7	1.0
ME430-30/TG	---	---	---	---	/TG	30A		<0.5mA	0.28	470	4.7	0.47
ME430-40/TG	---	---	---	---	/TG	40A		<1.0mA	0.2	470	10	0.47
ME430-50/TG	---	---	---	---	/TG	50A	<1.0mA	0.18	470	10	0.47	

电路原理图/Circuit Diagram



外型尺寸/Housing and dimensions: (mm)

